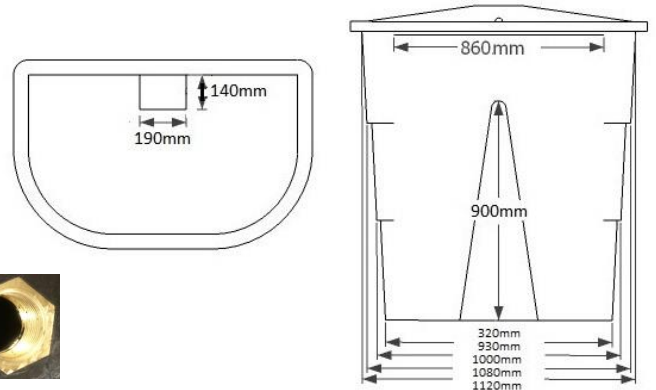
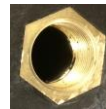
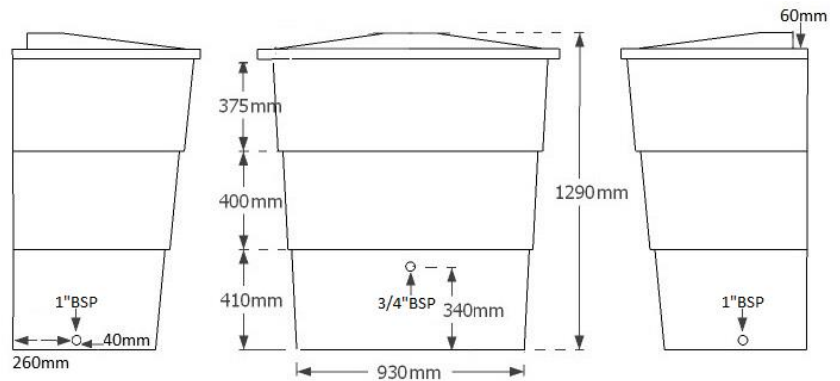


# ECOD700POT

Product description: D shaped 700 litre storage tank, manufactured from WRAS approved polymer



Product Information					
Height	Width	Depth	Weight	Outlets	Lid
1290mm	1120mm	740mm	35kg	1 x 3/4" + 2 x 1" BSP	Removable

**PRODUCT NOTES:**

Sizes approximate, owing to shrinkage

- Tank must be sited on a level, fully supportive base with a 30mm gap all round
- Multiple outlets. Raised tap connection allows containers to be filled. Lower outlets allow tank to be completely drained.
- Fully removable lid for ease of access.
- Outlets not drilled, unless requested.

**PRODUCT DETAILS:**

- Made from WRAS approved polymer
- Approximate wall thickness: 6-7mm
- Fully removable lid
- 3/4" raised brass threaded outlet
- 2 x 1" brass threaded outlets – one on each side
- Stackable for easy transportation

**OPTIONAL EXTRAS:**

- Brass tap
- Brass isolation valve with hose connector
- Tank connectors
- Stainless steel inserts

**BENEFITS:**

- Suitable for internal and external use
- Frost-proof; plastic will not crack in cold
- Plastic meets the requirements of BS 6920-1:2000
- Plastic will not contaminate water
- Holds shape when full of water
- Robust, heavy duty product; industrial strength
- Rotationally moulded for strength & durability
- 2 year warranty against manufacturing defects



Etills Ltd,  
Unit 1 Whiting Way,  
Melbourn,  
Royston,  
SG8 6NA



Call 01763 261781