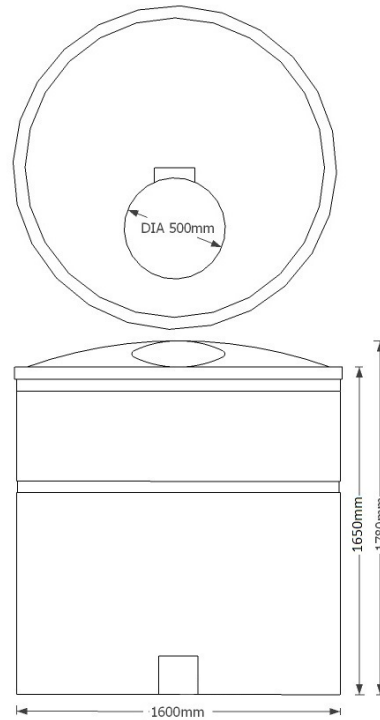


ECO2300WO

Product description: cylindrical 2300 litre bunded waste oil tank



Product Information			
Height	Diameter	Fill Point	Weight
1780mm	1600mm	14" tundish bowl	127kg

PRODUCT NOTES:

Sizes approximate, owing to shrinkage

- Tank must be sited on a level, fully supporting concrete base
- No outlets pre-fitted as standard
- To empty, open lid, remove tundish bowl, remove 4" filter and insert suction pipe
- If fitted with optional bund alarm, test regularly

PRODUCT DETAILS:

- Suitable for the storage of Kerosene, Fuel Oil and GasOil/Diesel including up to 10% biofuel, lubricants, some chemicals
- Bunded to protect the environment
- Bund contains minimum 110% volume of the inner tank
- Removable filter bowl
- 4" mesh filter
- Made from UV stabilised impact resistant polymer

OPTIONAL EXTRAS:

- Hasp and staple
- Custom colours
- 1" bottom draw off to feed waste oil burner
- Filling connections for pumped waste
- Bund alarm
- High level alarm

BENEFITS:

- Economical high capacity waste oil storage
- Suitable for commercial, agricultural, & industrial use
- Ideal for garages, factories, workshops, bus depots, transport companies, marinas, etc.
- High impact strength
- Bunded construction offers integral protection from leakage and spillage
- Covered bund prevents collection of rainwater & debris
- Rotationally moulded for strength and durability
- 10 year warranty against manufacturing defects



Scan to see our full range of oil tanks



Etills Ltd,
Unit 1
Whiting Way,
Melbourn,
Royston,
SG8 6NA



Call 01763 261781