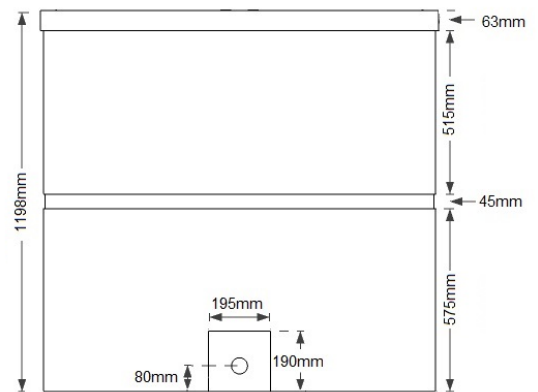
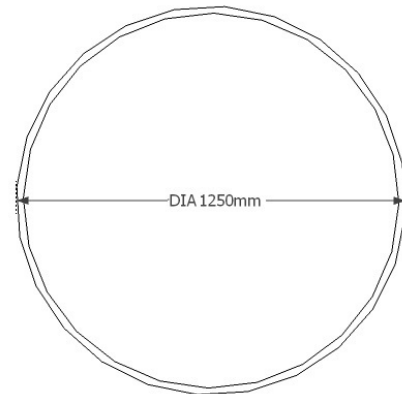


ECO1500T

Product description: cylindrical open top tank, suitable for internal or external use



Product Information

Height	Diameter	Weight	Outlet
1198mm	1250mm	40kg	2" BSP

Sizes approximate, owing to shrinkage
Specification subject to change; please call to confirm details

PRODUCT NOTES:

- Tank must be sited on a level, fully supportive base leaving a gap of at least 50mm from walls or other tanks
- Additional fittings can be added as and where required without compromising tank's structural integrity

PRODUCT DETAILS:

- Made from high quality recycled polymer
- Approximate wall thickness: 5-6mm
- 2" brass threaded outlet moulded into tank, as standard

OPTIONAL EXTRAS:

- 1" threaded outlet, or moulded blank (no outlet)
- Brass tap
- Brass isolation valve with hose connector
- Tank connectors
- Ball cock and float valve
- Coloured polymer to suit location

BENEFITS:

- Suitable for internal and external use
- Frost proof; will not crack in cold
- Value for money, high capacity holding tank
- Ideal for domestic or commercial use
- Robust, heavy duty product; industrial strength
- Smooth sides for easy cleaning
- Rotationally moulded for strength and durability
- 1 year warranty against manufacturing defects



Etills Ltd,
Unit 1 Whiting Way,
Melbourn,
Royston, SG8 6NA

Call 01763 261781