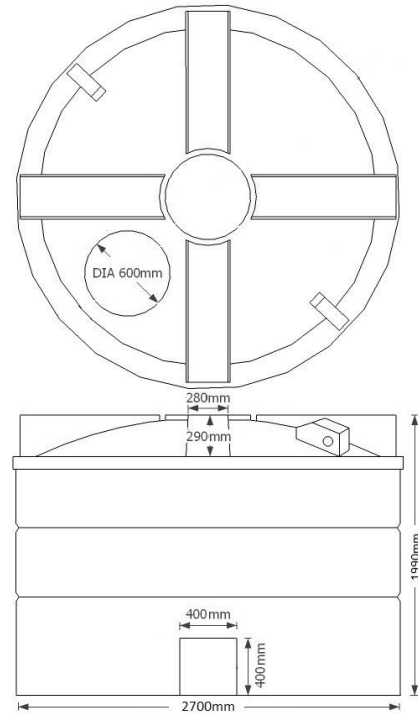


ECO10000

Product description: cylindrical storage tank, suitable for internal or external use



Product Information

Height	Diameter	Lid	Weight	Outlet
1990mm	2700mm	24" screwdown	200kg	Supplied loose

Sizes approximate, owing to shrinkage
Specification subject to change; please call to confirm details

PRODUCT NOTES:

- Tank must be sited on a level, fully supportive base leaving a gap of at least 100mm from walls or other tanks
- Additional fittings can be added as and where required without compromising tank's structural integrity
- Outlet not drilled unless requested

PRODUCT DETAILS:

- Made only from tank grade polymer
- Approximate wall thickness: 6-7mm
- 24" screw down lid for easy access
- 2" plastic threaded male outlet supplied as standard
- Accepts 6" flanged outlets

OPTIONAL EXTRAS:

- 16" lockable lid
- Plastic tank connector (up to 4")
- Brass tank connector (up to 3")
- Essex flange (up to 2 1/4")
- Brass isolation valve
- Ball valve and float

BENEFITS:

- Suitable for internal and external use
- Frost proof; will not crack in cold
- Value for money, high capacity storage
- Ideal for agricultural or commercial water storage
- Robust, heavy duty product; industrial strength
- Opaque plastic reduces algae growth in sunlight
- Rotationally moulded for strength and durability
- 10 year warranty against manufacturing defects



Etills Ltd,
Unit 1 Whiting Way,
Melbourn,
Royston,
SG8 6NA



Call 01763 261781