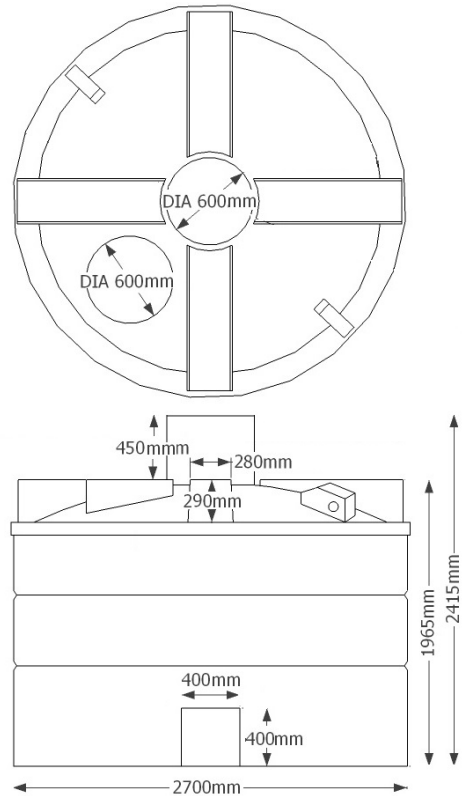


ECO10000UND

Product description: underground 10,000 water tank



Product Information				
Height (without neck)	Height (with neck)	Diameter	Access	Weight
1965mm	2415mm	2700mm	600mm aperture	280kg

Sizes approximate, owing to shrinkage

PRODUCT NOTES:

- Please ensure that the Installation Guidelines have been read and understood before commencing installation
- Only lift when empty
- This tank must be **fully encased in concrete**
- Designed to take pedestrian traffic only; if required to carry vehicular traffic, a structural engineer's design is required
- Top of the tank must not finish any more than 450mm below ground level without design consideration from a structural engineer
- Without a structural engineer's design, tank must not be located adjacent to foundations, raised banks, patios or walls
- Pipe-falls should be a minimum of 2:100 in the direction of water-flow, i.e. rainwater pipe and service duct towards the tank and the overflow away from the tank

PRODUCT DETAILS:

- Made from virgin polymer
- Tank made from one piece mould for extra strength
- 545mm extended neck; can be cut down
- Designed and manufactured in the UK

OPTIONAL EXTRAS:

- Filter box
- Range of pumps
- Tank connectors
- MDPE pipe

BENEFITS:

- Lifting lugs for easy manoeuvring
- Rotationally moulded for strength and durability
- High capacity water storage



Scan to view our full range of water tanks



Etills Ltd,
Unit 1 Whiting Way,
Melbourn,
Royston,
SG8 6NA



Call 01763 261781