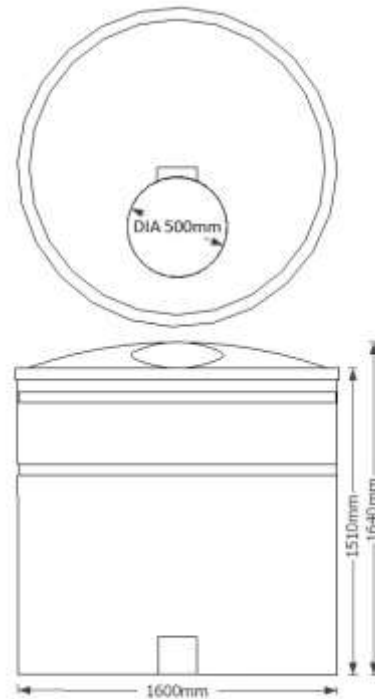


ECO2000INS

Product description: insulated cylindrical water tank



MADE IN BRITAIN



Product Information				
Height	Diameter	Overall weight	Tank connection	Lid
1640mm	1600mm	120kg	2" BSP	16" hinged outer 14" screwdown inner

Sizes approximate, owing to shrinkage
Specification subject to change; please call to confirm details

PRODUCT NOTES:

- Always keep tank upright. Never roll or put on its side.
- Tank must be sited on a level, fully supporting base
- Ensure that all fittings are insulated

PRODUCT DETAILS:

- The perfect self-contained solution for the storage of non-potable water in harsh conditions
- Double wall construction
- SF19 SuperFOIL insulation
- 14" vented inner lid
- 2" brass threaded outlet as standard

OPTIONAL EXTRAS:

- Brass tap
- Brass isolation valve with hose connector
- Tank connectors
- 1" brass threaded outlet
- 1" stainless steel insert
- Hasp and staple for lid
- Colour options available

BENEFITS:

- Water is protected from external conditions
- Outer tank encapsulates and protects the insulation
- Covered bund prevents collection of rainwater & debris
- Opaque plastic reduces algae growth in sunlight
- Value for money integrated insulated water storage
- Cost effective alternative to insulated GRP/FRP water storage tanks
- Rugged construction
- Rotationally moulded for strength & durability
- 2 year warranty against manufacturing defects



Scan to view our full range of water tanks



Etills Ltd,
Unit 1
Whiting Way
Melbourn,
Royston,
SG8 6NA



Call 01763 261781

ECO2000INS

Product description: insulated cylindrical water tank

TECHNICAL DATA

Tanks

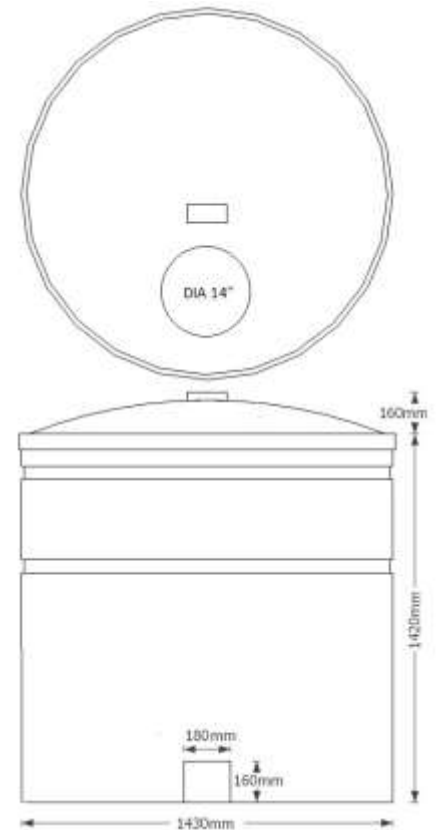
- Rotationally moulded from one or more of the following polymers:
 - ICORENE 1314/ 3560 (if coloured)
 - REVOLVE M-748 (black)/N307 (natural)Data sheets available
- 2" BSP brass threaded insert (1" brass and 1" stainless steel available)
- 16" hinged lid on outer housing; 14" inner screwdown lid

Inner tank dimensions:

Capacity	Height	Diameter
2000 litres	1580mm	1430mm

Insulation

- SF19 SuperFOIL
- Standard thickness 40mm
- BBA Agrément and LABC Registered System Approval
- BBA certified R value of 2.58.
- Dupont ultra efficient nano coating technology.
- SF19 SuperFOIL also acts as a radiant barrier to reflect excessive heat gain during the summer months as well as insulating throughout the year
- Water Vapour Resistance 1200MNs/g
- Resistance to water penetration W1
- Flexibility at low temp. -40c
- Tensile Properties - Length (After Ageing) 635 N/50mm
- Tensile Properties - Width (After Ageing) 580 N/50mm



Call 01763 261781