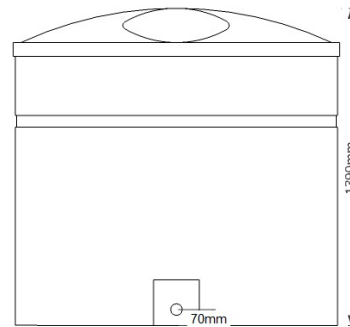
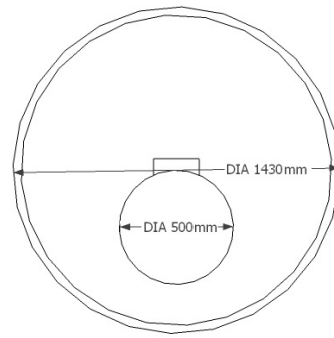


ECO1300BO

Product description: cylindrical 1300 litre bunded oil tank



Product Information						
Height	Diameter	Outlet	Brimful capacity	Fill Point	Weight	Security
1390mm	1430mm	1" BSP (bottom)	1403 litres	2" overfill prevention valve	90kg	Lockable lid

PRODUCT NOTES:

Sizes approximate, owing to shrinkage

- The tank must be sited on a level, fully supporting concrete base, min. 2030 diameter
- The tank must be installed according to current regulations, taking siting restrictions and base construction into careful consideration. The tank must be installed and inspected annually by a Competent Person. (For more information on Competent Persons, visit www.competentperson.co.uk.) Failure to comply with these requirements will invalidate the warranty.

PRODUCT DETAILS:

- Suitable for the storage of Kerosene (C1/C2), Fuel Oil (A2) and GasOil/Diesel (D) as defined in BS2869 and BSEN590 including up to 10% biofuel to BSEN14214
- Made from UV stabilised virgin polymer
- Designed and manufactured in the UK
- Bunded oil storage to protect the environment
- 4 ½ " inspection cap c/w chain

OPTIONAL EXTRAS:

- Anti-theft alarm
- Filter valve pack
- Electronic level gauge
- Bund alarm
- Tigerloop and Tigerloop kit
- Spill kit
- Fire valves
- Qual oil pipe
- Top outlet
- Colour options (Ecostone range)

BENEFITS:

- Compact, cost effective oil storage
- Suitable for domestic & commercial use
- Low maintenance - no rust and no painting required
- High impact strength
- Manufactured to ISO standards
- Bund contains minimum 110% volume of the inner tank
- Bunded construction provides integral protection from leakage and overfilling
- Covered bund prevents collection of rainwater & debris
- Rotationally moulded for strength and durability
- 10 year warranty against manufacturing defects



Scan to see our full range of oil tanks



Etills Ltd,
Unit 1
Whiting Way,
Melbourn,
Royston,
SG8 6NA



Call 01763 261781