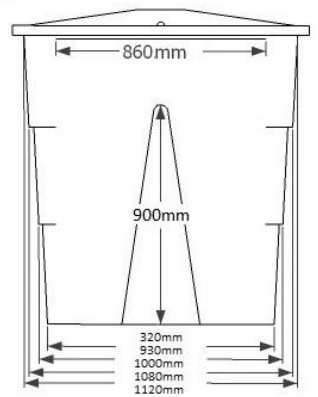
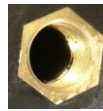
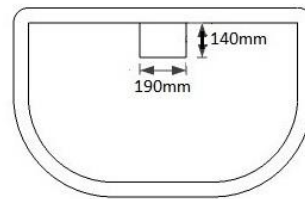
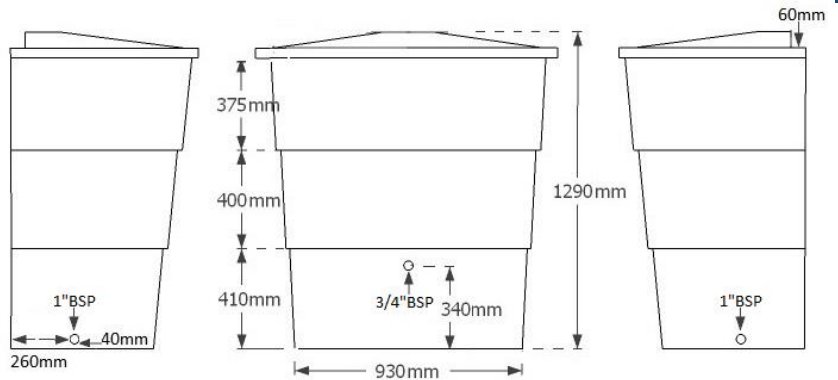


ECOD700BLK

Product description: D shaped 700 litre storage tank, suitable for internal or external use



Product Information

Height	Width	Depth	Weight	Outlets	Lid
1290mm	1120mm	740mm	35kg	1 x 3/4" + 2 x 1" BSP	Removable

PRODUCT NOTES:

Sizes approximate, owing to shrinkage

- Tank must be sited on a level, fully supportive base with a 30mm gap all round
- Multiple outlets. Raised tap connection allows containers to be filled. Lower outlets allow tank to be completely drained.
- Fully removable lid for ease of access.
- Outlets not drilled, unless requested

PRODUCT DETAILS:

- Made from virgin polymer
- Approximate wall thickness: 6-7mm
- Fully removable lid
- 3/4" raised brass threaded outlet
- 2 x 1" brass threaded outlets – one on each side
- Stackable for easy transportation

OPTIONAL EXTRAS:

- Brass tap
- Brass isolation valve with hose connector
- Tank connectors
- Stainless steel inserts

BENEFITS:

- Suitable for internal and external use
- Frost proof; will not crack in the cold
- Robust, heavy duty product; industrial strength
- Small footprint maximises capacity when space is limited
- Tanks can be connected together using bottom outlets
- Opaque plastic reduces algae growth in sunlight
- Rotationally moulded for strength and durability
- 2 year warranty against manufacturing defects



Etills Ltd,
Unit 1 Whiting Way,
Melbourn,
Royston,
SG8 6NA



Call 01763 261781