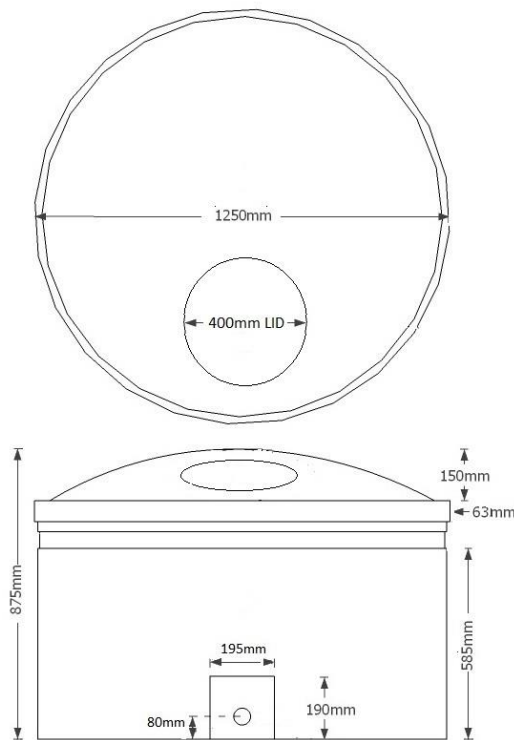


# ECO900POT

Product description: WRAS approved cylindrical storage tank



Product Information					
Height	Diameter	Weight	Outlet	Lid	Certificate no
875mm	1250mm	35kg	2" BSP	400mm	2003366

Sizes approximate, owing to shrinkage  
Specification subject to change; please call to confirm details

#### PRODUCT NOTES:

- Outlet not drilled, unless requested
- Tank must be sited on a level, fully supportive base leaving a gap of at least 50mm from walls or other tanks
- Additional fittings can be added as and where required without compromising tank's structural integrity
- Tanks must be installed in accordance with The Water Supply (Water Fittings) Regulations 1999 in order to be properly used for storage of drinking water. This will include the addition of fittings which are not supplied with the tank unless ordered separately.

#### PRODUCT DETAILS:

- WRAS approval number 2003366
- Approximate wall thickness: 6-7mm
- 400mm screw down lid as standard
- 2" brass threaded outlet moulded into the tank

#### OPTIONAL EXTRAS:

- Brass tap or isolation valve with hose connector
- By-law 30 kit
- Ball cock and float valve
- Tank connectors
- 1" threaded outlet, or moulded blank (no outlet)
- Stainless steel outlet

#### BENEFITS:

- Suitable for internal and external use
- Frost proof; will not crack in cold
- Plastic meets the requirements of BS 6920-1:2000
- Plastic will not contaminate water
- Value for money, high capacity storage
- Ideal for domestic or commercial water storage
- Robust, heavy duty product; industrial strength
- Opaque plastic reduces algae growth in sunlight
- Rotationally moulded for strength and durability
- 10 year warranty against manufacturing defects



Scan to view our full range of water tanks



Etils Ltd,  
Unit 1 Whiting Way,  
Melbourn,  
Royston,  
SG8 6NA



Call 01763 261781